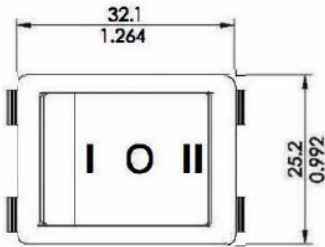
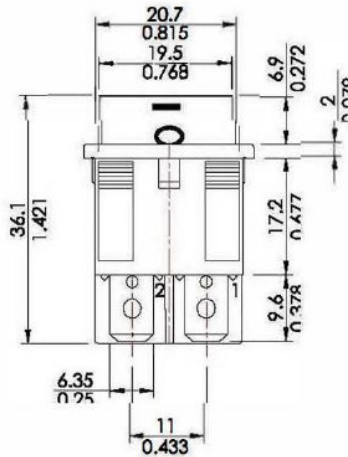
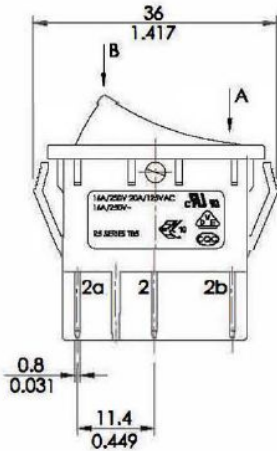
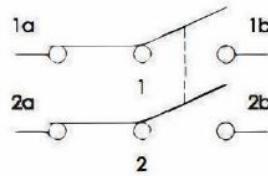


PRODUCT DATASHEET



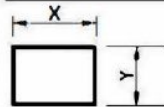
CIRCUIT DPDT



POLE FUNCTION	OPTIONS OF FUNCTION		
	A	CENTER	B
DPDT	1-1a 2-2a	NONE	1-1b 2-2b

Dimension units: $\frac{\text{mm}}{\text{inch}}$

PANEL CUT-OUT	
Y	X
22 mm [0.87"]	30 mm [1.18"]



Part Numbers: RS-LATCH, RS-MOMENTARY

Technical Details

Contact Rating	20A @ 12V	Contact Resistance	< 20 mOhm
Mechanical Life	> 30,000 cycles	Electrical Life	> 10,000 cycles